



KN3

Features

- Snap in panel mount installation
- Choice of colored caps.
- Choice of painted colored caps.
- Available with small quantity order.

产品特点

- 安装方便迅速，性能可靠
- 客制化帽盖选择，丝印&移印服务
- 可少量订购

Applications

- Electric welder
- Welding equipments
- Instrument and electronic equipments

使用范围

- 电焊机等焊接设备
- 各种仪器仪表及电子设备

General Specifications: (产品规格)

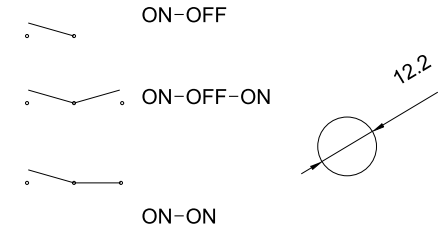
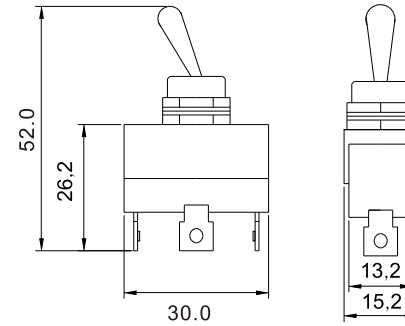
- Contact Rating: 22(14)A 250V AC
- Contact Resistance: 50mΩ Max.
- Insulation Resistance: 100mΩ Min.
- Dielectric Strength: Breakdown is not allowable;
4500V AC for 1 minute
- Operating Life: 50,000 cycles
- Level of protection: IP20
- Operating Temperature: -25° C to 85° C

Dimensions

SCHEMATIC

P. C. B LAYOUT

KN3-X



Dimensions

SCHEMATIC

P. C. B LAYOUT

KN32

