

**产品特点:**

超高亮LED照光，耐久鲜明
客制化帽盖选择，喷漆色盖、镭射雕刻服务
手感绝佳，质量可靠

Applications:

Consumer products .Instrumentation
Communication equipments
Home Security...etc.

使用范围：

时尚消费产品
仪器通讯、居家...等

Features:

Small size
Bi-color LED illuminated available
Right angle and vertical PCB terminal

Features:

- Small size
- Bi-color LED illuminated available
- Right angle and vertical PCB terminal

Applications (使用范围) :

Consumer products	时尚消费产品
Computer products	电脑周边
Instrumentation	仪器通讯
Communication equipments	居家
Home Security...etc.	

General Specifications: (产品规格)

- Circuit: SPST, Right angle push on Type
- Contact Rating: 50mA 12V DC
- Contact Resistance: 100mΩ Max. 1.5V DC/ 100 mA,
by method of Voltage drop
- Insulation Resistance: 100MΩ Min. 500V DC
- Dielectric Strength: Breakdown is not allowable;
500V AC for 1 minute
- Actuation Force: 160 ± 50gf
- Total Travel: 0.2mm ± 0.1mm
- Operating Life: 500,000 cycles Min.
- Operating Temperature: -20° C to 70° C

Material: (产品材质)

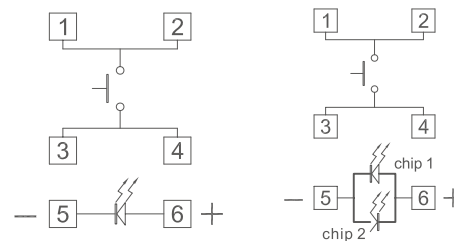
- Cover: Polyamide(PA)
- Actuator: Polyamide(PA)+GF
- Base Frame: Polyamide(PA)+GF
- Terminal: Brass with silver plating

HOW TO ORDER

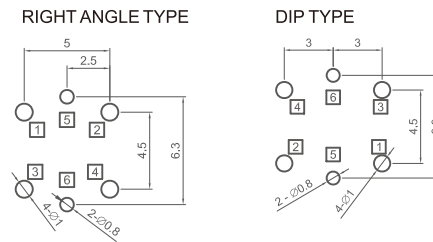
SERIES	FRAME TYPE	ACTUATOR	CAP TYPE	CAP COLOR	LED COLOR	LED BRIGHTNESS	LED COLOR	LED BRIGHTNESS	TERMINAL
TL7	A	A	R	K	N	1	R	2	
	A=A TYPE B=B TYPE C=C TYPE	A=A TYPE B=B TYPE C=C TYPE	S=SQUARE S1=S1 sq R=ROUND R1=R1 ro R2=R2 ro R3=R3 ro N=NONE	T=TRANSPARENT R=RED W=WHITE K=BLACK A=GRAY S=SILVER N=NONE	B=BLUE G=GREEN R=RED Y=YELLOW W=WHITE N=NONE	1=STANDARD 2=HIGH N=NONE	B=BLUE G=GREEN R=RED Y=YELLOW W=WHITE N=NONE	1=STANDARD 2=HIGH N=NONE	--=RIGHT ANGLE TYPE P=P.C.B TYPE S=S.M.T TYPE

CAP Symbol: Please refer to cap selection for all available symbols on cap surface, and any customization is welcomed

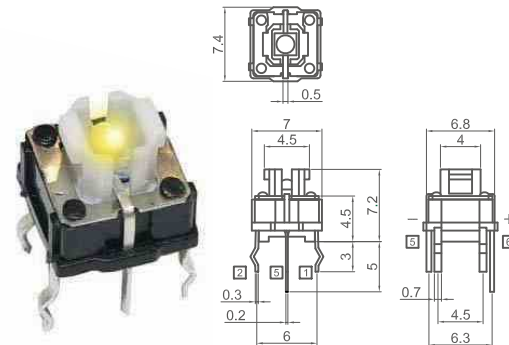
CIRCUIT



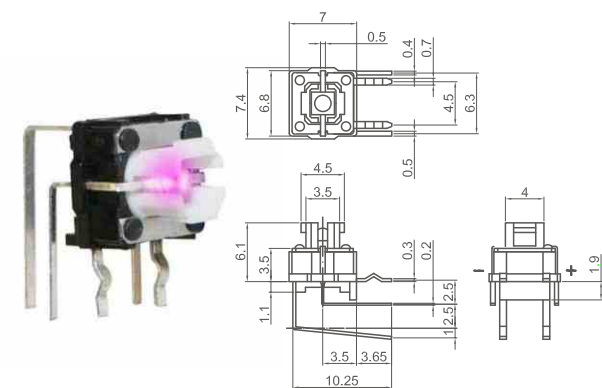
P. C. B LAYOUT



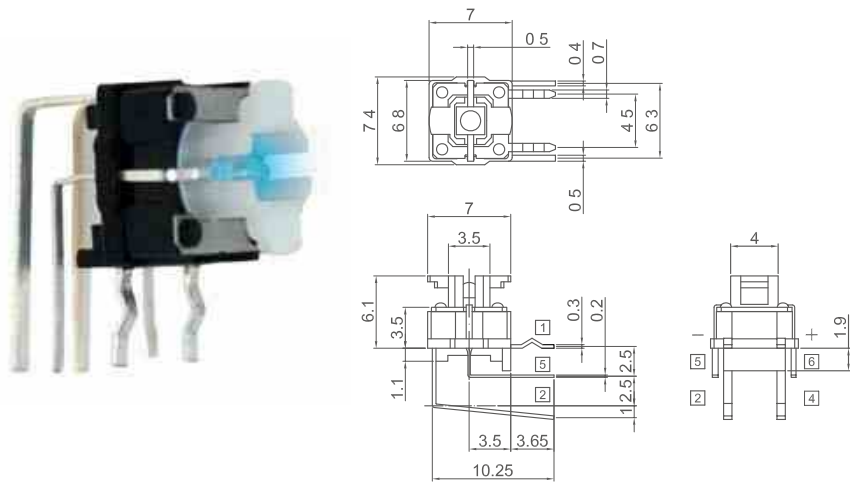
TL7-AANN-Y1NPN::



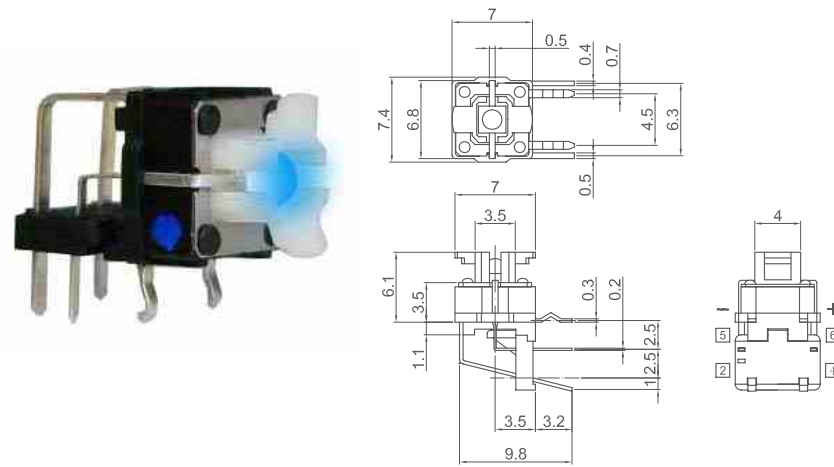
TL7-ABNN-R1NN ::



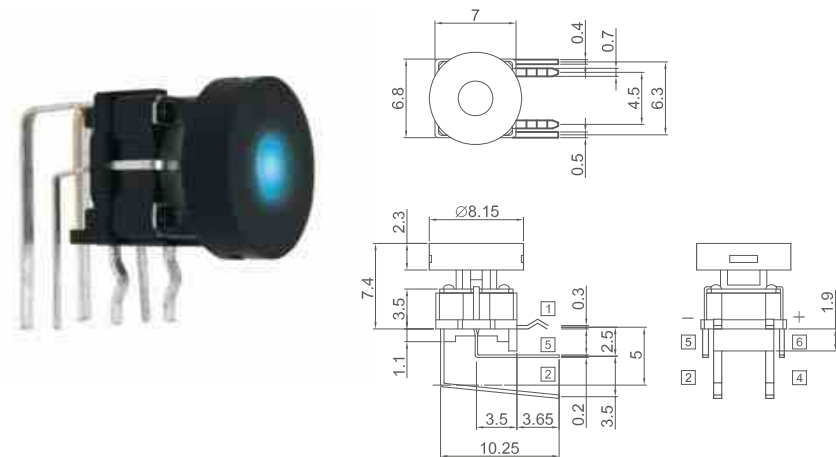
TL7-AANN-B1NN  



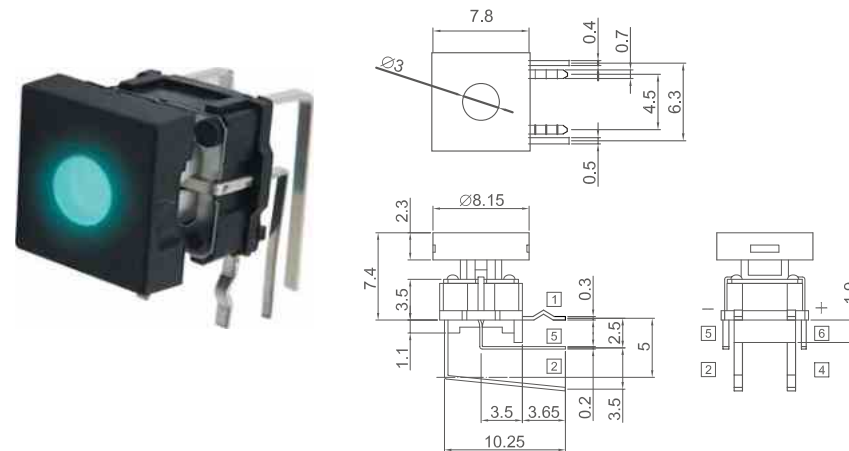
TL7-BANN-B1NN  



TL7-ABRK-B1NN  



TL7-ABSK-B1NN  



Laser Service

先进镭射雕刻服务，精密不失真。

Feature:

Lak-View's products are always the best choice and provide additional product value.

We focus interest, make the product recognizable and improve product image.

Customers can make pattern, logo, characters and even the design on their own.

Convenience, Short time to market, Quality, Beauty and more than one hundred kinds of designs are available to satisfy our customers.

No expenses for ink or additional materials due to laser printing. Does not fade or change color.

Application:

Public building, Security system, Business building, Industrial equipment, Communication equipments, Audio/Video products...etc.

CAP Symbol



	0	1	2	3	4	5	6	7	8	9	10	11	12	13	14	15	16	17	18	19	
A	0	1	2	3	4	5	6	7	8	9	10	11	12	13	14	15	16	17	18	19	
B	A	B	C	D	E	F	G	H	I	J	K	L	M	N	O	P	Q	R	S	T	
C	U	V	W	X	Y	Z	V1	V2	V3	V4	V5	V6	V7	V8	V9	F1	F2	F3	F4	F5	
D	F6	F7	GO	OK	WIN	ESC	MENU	BRIGHT	LAYOUT	TAKE	INVERT	LIGHT	SDI	VGA	DVI	PIP	P/F	Out-K	In-A	In-B	
E	M1	SAVE	SPLIT	HDMI	LOAD	Set	Menu	Win	In	Out	Load	Save	RTMP	PGM1	PGM2	PVW	MIX	PUSH	COVER	WIPE	
F	V1 ▲	VGA ◀	H1 ▼	H2 ▶	DVI ①	HDMI ②	EXT1 ③	EXT2 ④	VGA ⑤	CVBS ⊖	M6 Ⓢ	DDR1 PLAY	PPT On\Off	REC PGM	DDR2 PLAY	PAGE UP	PAGE DOWN	M Prew Switch	In-A K-Out1	Overlay Fade	
G	TAKE 0	VID1 1	VID2 2	VGA1 3	VGA2 4	HDMI 5	FREEZE SAVE	RETURN SHIFT	BLACK ERASE	Auto Take	Bypass	Freeze	Mosaic	VOLUME UP ▲	VOLUME DOWN ▼	SELECT TRANS	INPUT SETUP	PTZ PRESET	PLAY BACK	REAL TIME	
H	In1	In2	In3	In4	M+	M1	M2	M3	CH1	CH2											ROHS compliant
I																					
J																					
K																					
L																					
M																					
N																					