

**General Specifications: ( 产品规格 )**

Circuit:2P2T,4P2T,6P2T,Momentary and Lock type are available

Contact Rating: 0.1A 30V DC

Actuation Force: 2 Pole:230 ± 50 gf;4 Pole:280 ± 50 gf;6 Pole:380 ± 50 gf

Operating Life: 0,000 cycles Min.

Operating Temperature: -20° C to 70° C

**HOW TO ORDER**

SERIES	OPERATION	POLE	FRAME TYPE	CAP TYPE	CAP COLOR
PSA	N	22			
	N=NON-LOCK L=LOCKTYPE	22=2P2T 44=4P2T 66=6P2T	=WithoutTYPE A=A TYPE B=B TYPE	=Without Cap 01=01TYPE 02=02TYPE 03=03TYPE 04=04TYPE 05=05TYPE 06=06TYPE 07=07TYPE	T=TRANSPARENT R=RED G=GREEN B=BLUE Y=YELLOW S=SILVER A=GRAY K=BLACK

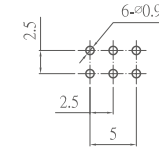
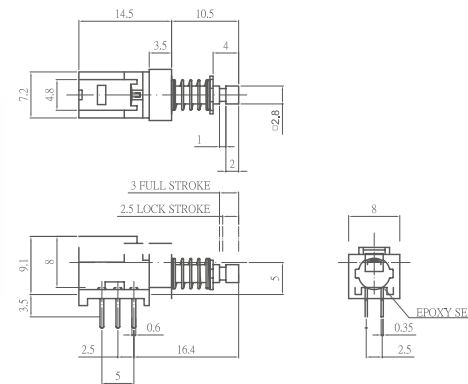
**Cap Choice more than ONE**

	01 Type	02 Type	03 Type	04 Type
Shape				
Dimension				

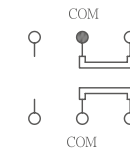
**PSA-L22**

**Dimensions**

**P.C.B Layout**



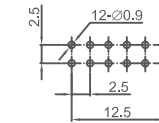
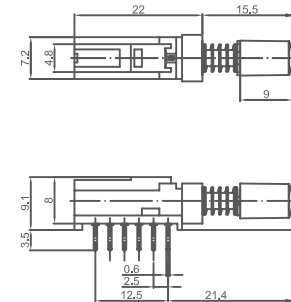
**SCHEMATIC**



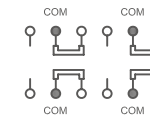
**PSA-L44-02K**

**Dimensions**

**P.C.B Layout**



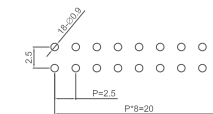
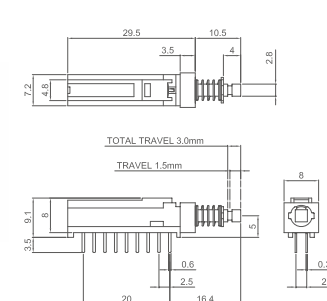
**SCHEMATIC**



**PSA-L66**

**Dimensions**

**P.C.B Layout**



**SCHEMATIC**

