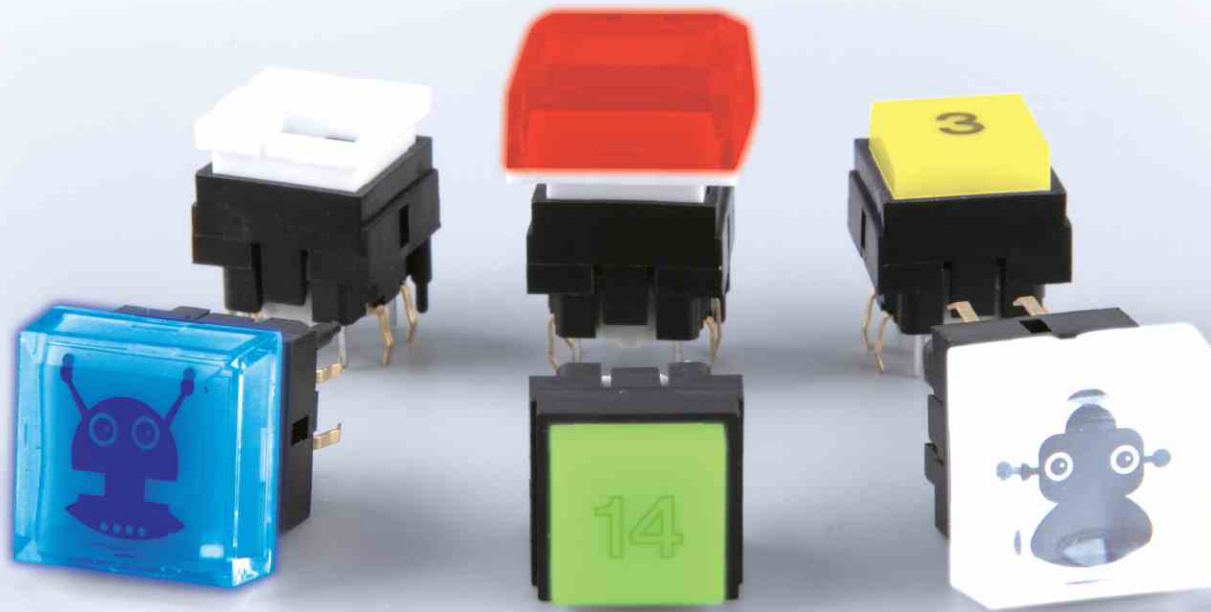


触感明显，质量稳固

Excellent contact feeling, Super high quality



Features:

- Light click feeling
- Super high quality
- Conductive Rubber
- RGB LED illuminated available
- Long electrical life cycles

产品特点

- 手感绝佳&质量可靠
- 导电橡胶?
- 全彩RGB效果可供选择
- 使用寿命长久

Applications

- Studio equipment.
- Audio/Video products,
- Broadcast system,
- Instrumentation,.
- Telecommunications ...etc

使用范围

- 音响、影像等录音室器材设备
- 广播系统、电信仪器设备

General Specifications: (产品规格)

Circuit: OFF-<ON>For Momentary Type,SPST

Contact Rating: Max.:1mA 20V DC or 5mA 5V DC

Min.:1mA 5V DC

Contact Resistance: 200Ω Max.

Insulation Resistance: 100MΩ Min. 100V DC

Dielectric Strength:Breakdown is not allowable;

250V AC for 1 minute

Actuation Force: 160 ±40gf

Total Travel:1.3mm±0.3mm

Operating Life: 500,000 cycles Min.

Operating Temperature: -20°C to 70°C

Material: (产品材质)

Actuator: Polyoxymethylen(POM)

Frame:Steel plate

Terminal:Brass with silver plating

LED Specifications:

Color	V		Recommended Operating Current	VF	
				Nom	Max
Red	DC 5V	20mA	20mA	1.7V	2.4V
Green	DC 5V	20mA	20mA	1.9V	2.4V
Yellow	DC 5V	20mA	20mA	1.9V	2.4V
Blue	DC 5V	20mA	20mA	3.0V	3.6V
White	DC 5V	20mA	20mA	3.0V	3.6V

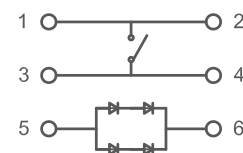
HOW TO ORDER

SERIES	OPERATION	POLE	LED COLOR	LED BRIGHTNESS	LED COLOR	LED BRIGHTNESS	CAP TYPE	CAP COLOR	PLATE COLOR	CAP SYMBOL
TL5	N	1	R	1	N	2	S	T	W	P5
	N=MOUMENTARY	1=1 POLE	B=BLUE G=GREEN R=RED Y=YELLOW W=WHITE N=NONE	1=STANDARD 2=HIGH N=NONE	B=BLUE G=GREEN R=RED Y=YELLOW W=WHITE N=NONE	1=STANDARD 2=HIGH N=NONE	S=SQUARE S1=S1 sq N=NONE	T=TRANSPARENT R=RED G=GREEN B=BLUE Y=YELLOW S=SILVER N=NONE	W=WHITE R=RED G=GREEN B=BLUE Y=YELLOW N=NONE	

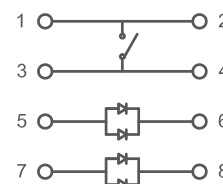
CAP Symbol:Please refer to cap selection for all available symbols on cap surface,and any customization is welcomed

CIRCUIT

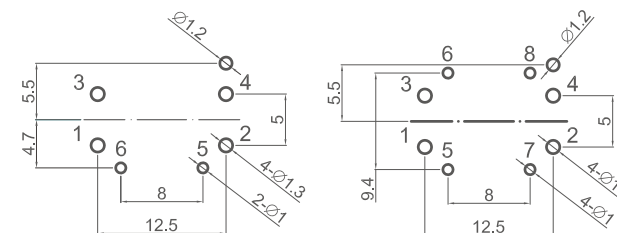
SINGLE LED COLOR



DUAL LED COLOR



P.C.B LAYOUT

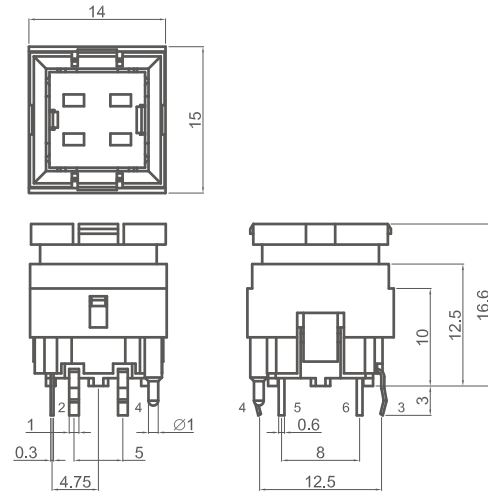


For the specification about the other LEDs, please contact with sales department

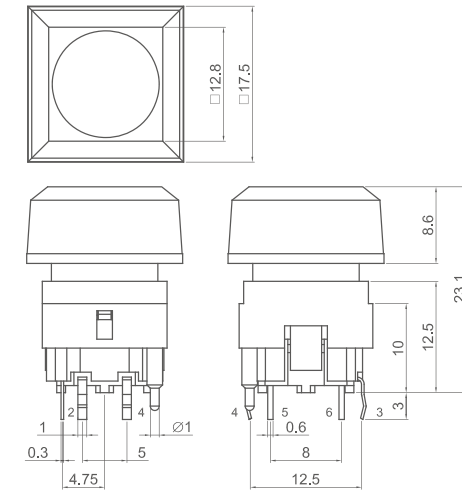
i TL5

TL5 Series illuminated tactile

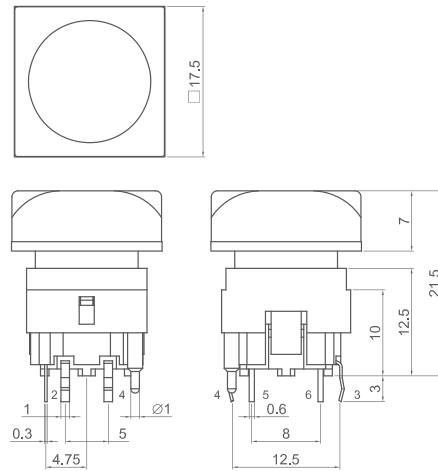
TL5-N1N1NN-NNN



TL5-N1Y1NN-STW



TL5-N1R1NN-S1TW



Laser Service

先进镭射雕刻服务，精密不失真。

Feature:

Lak-View's products are always the best choice and provide additional product value.

We focus interest, make the product recognizable and improve product image.

Customers can make pattern, logo, characters and even the design on their own.

Convenience, Short time to market, Quality, Beauty and more than one hundred kinds of designs are available to satisfy our customers.

No expenses for ink or additional materials due to laser printing. Does not fade or change color.

Application:

Public building, Security system, Business building, Industrial equipment, Communication equipments, Audio/Video products...etc.

CAP Symbol



	0	1	2	3	4	5	6	7	8	9	10	11	12	13	14	15	16	17	18	19	
A	0	1	2	3	4	5	6	7	8	9	10	11	12	13	14	15	16	17	18	19	
B	A	B	C	D	E	F	G	H	I	J	K	L	M	N	O	P	Q	R	S	T	
C	U	V	W	X	Y	Z	V1	V2	V3	V4	V5	V6	V7	V8	V9	F1	F2	F3	F4	F5	
D	F6	F7	GO	OK	WIN	ESC	MENU	BRIGHT	LAYOUT	TAKE	INVERT	LIGHT	SDI	VGA	DVI	PIP	P/F	Out-K	In-A	In-B	
E	M1	SAVE	SPLIT	HDMI	LOAD	Set	Menu	Win	In	Out	Load	Save	RTMP	PGM1	PGM2	PVW	MIX	PUSH	COVER	WIPE	
F	V1 ▲	VGA ◀	H1 ▼	H2 ▶	DVI ①	HDMI ②	EXT1 ③	EXT2 ④	VGA ⑤	CVBS ⊖	M6 Ⓢ	DDR1 PLAY	PPT On\Off	REC PGM	DDR2 PLAY	PAGE UP	PAGE DOWN	M Prew Switch	In-A K-Out1	Overlay Fade	
G	TAKE 0	VID1 1	VID2 2	VGA1 3	VGA2 4	HDMI 5	FREEZE SAVE	RETURN SHIFT	BLACK ERASE	Auto Take	Bypass	Freeze	Mosaic	VOLUME UP ▲	VOLUME DOWN ▼	SELECT TRANS	INPUT SETUP	PTZ PRESET	PLAY BACK	REAL TIME	
H	In1	In2	In3	In4	M+	M1	M2	M3	CH1	CH2											ROHS compliant
I																					
J																					
K																					
L																					
M																					
N																					