

**Features:**

Noiseless
Conductive Rubber
Light click feeling
Bi-color LED illuminated available
Long electrical life cycles

Applications:

Audio/Video products
Instrumentation
Communication equipments...etc.

产品特点：

超高亮LED照光&耐久鲜明
导电橡胶
明亮的LED双色可选
使用寿命长久

使用范围：

音频、视频产品设备
仪器仪表、通讯设备...等



TL4

Features

- Noiseless
- Conductive Rubber
- Light click feeling
- Bi-color LED illuminated available
- Long electrical life cycles

Applications

- Audio/Video products
- Instrumentation
- Communication equipments... etc.

General Specifications: (产品规格)

- Circuit: Momentary Type, SPST
- Contact Rating: Max.: 1mA 20V DC or 5mA 5V DC
Min.: 1mA 5V DC
- Contact Resistance: 200Ω Max. 5V DC/ 1 mA,
by method of Voltage drop
- Insulation Resistance: 100MΩ Min. 100V DC
- Dielectric Strength: Breakdown is not allowable; 250V AC for 1 minute
- Actuation Force: 125 ±35gf
- Operating Life: 300,000 cycles Min.
- Operating Temperature: -20°C to 70°C

Material: (产品材质)

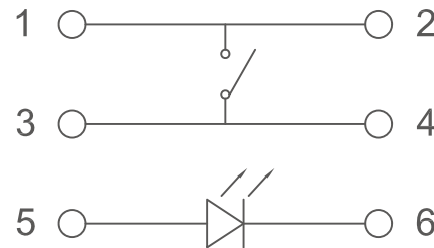
- Cap: Polycarbonate(PC)
- Actuator: Polyamide(PA)+GF
- Base Frame: Polyamide(PA)+GF
- Terminal: Brass with gold plating

HOW TO ORDER

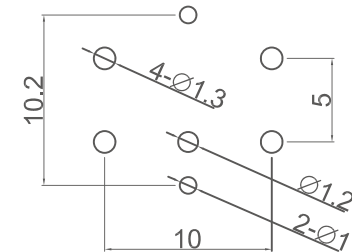
SERIES	OPERATION	POLE	LED COLOR	LED BRIGHTNESS	LED COLOR	LED BRIGHTNESS	CAP TYPE	CAP COLOR	CAP SYMBOL
TL4	N	1	R	1	N	2	S	Y	P5
	N=MOMENTARY	1=1 POLE	B=BLUE G=GREEN R=RED Y=YELLOW W=WHITE N=NONE	1=STANDARD 2=HIGH N=NONE	B=BLUE G=GREEN R=RED Y=YELLOW W=WHITE N=NONE	1=STANDARD 2=HIGH N=NONE	S=SQUARE S1=S1 sq N=NONE	Y=YELLOW W=WHITE R=RED G=GREEN B=BLUE N=NONE	

CAP Symbol: Please refer to cap selection for all available symbols on cap surface, and any customization is welcomed

CIRCUIT



P. C. B LAYOUT

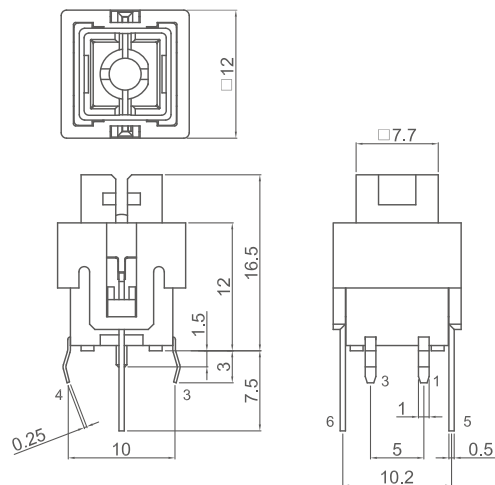


LED Specifications:

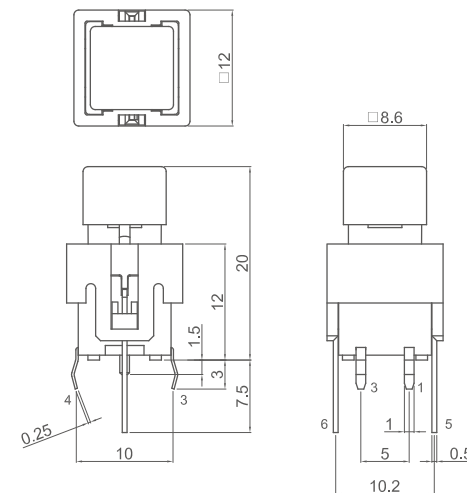
Color	V		Recommended Operating Current	VF	
				Nom	Max
Red	DC 5V	20mA	20mA	1.7V	2.4V
Green	DC 5V	20mA	20mA	1.9V	2.4V
Yellow	DC 5V	20mA	20mA	1.9V	2.4V
Blue	DC 5V	20mA	20mA	3.0V	3.6V
White	DC 5V	20mA	20mA	3.0V	3.6V

For the specification about the other LEDs, please contact with sales department

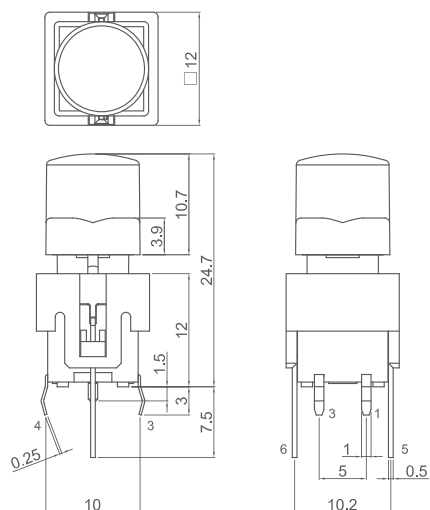
TL4-N1G1NN-NN



TL4-N1W1NN-SW



TL4-N1W1NN-S1W



Laser Service

先进镭射雕刻服务，精密不失真。

Feature:

Lak-View's products are always the best choice and provide additional product value.

We focus interest, make the product recognizable and improve product image.

Customers can make pattern, logo, characters and even the design on their own.

Convenience, Short time to market, Quality, Beauty and more than one hundred kinds of designs are available to satisfy our customers.

No expenses for ink or additional materials due to laser printing. Does not fade or change color.

Application:

Public building, Security system, Business building, Industrial equipment, Communication equipments, Audio/Video products...etc.

CAP Symbol



	0	1	2	3	4	5	6	7	8	9	10	11	12	13	14	15	16	17	18	19		
A	0	1	2	3	4	5	6	7	8	9	10	11	12	13	14	15	16	17	18	19		
B	A	B	C	D	E	F	G	H	I	J	K	L	M	N	O	P	Q	R	S	T		
C	U	V	W	X	Y	Z	V1	V2	V3	V4	V5	V6	V7	V8	V9	F1	F2	F3	F4	F5		
D	F6	F7	GO	OK	WIN	ESC	MENU	BRIGHT	LAYOUT	TAKE	INVERT	LIGHT	SDI	VGA	DVI	PIP	P/F	Out-K	In-A	In-B		
E	M1	SAVE	SPLIT	HDMI	LOAD	Set	Menu	Win	In	Out	Load	Save	RTMP	PGM1	PGM2	PVW	MIX	PUSH	COVER	WIPE		
F	V1 ▲	VGA ◀	H1 ▼	H2 ▶	DVI ①	HDMI ②	EXT1 ③	EXT2 ④	VGA ⑤	CVBS ⊖	M6 Ⓢ	DDR1 PLAY	PPT On/Off	REC PGM	DDR2 PLAY	PAGE UP	PAGE DOWN	M Prew Switch	In-A K-Out1	Overlay Fade		
G	TAKE 0	VID1 1	VID2 2	VGA1 3	VGA2 4	HDMI 5	FREEZE SAVE	RETURN SHIFT	BLACK ERASE	Auto Take	Bypass	Freeze	Mosaic	VOLUME UP ▲	VOLUME DOWN ▼	SELECT TRANS	INPUT SETUP	PTZ PRESET	PLAY BACK	REAL TIME		
H	In1	In2	In3	In4	M+	M1	M2	M3	CH1	CH2											ROHS compliant	
I																						
J																						
K																						
L																						
M																						
N																						